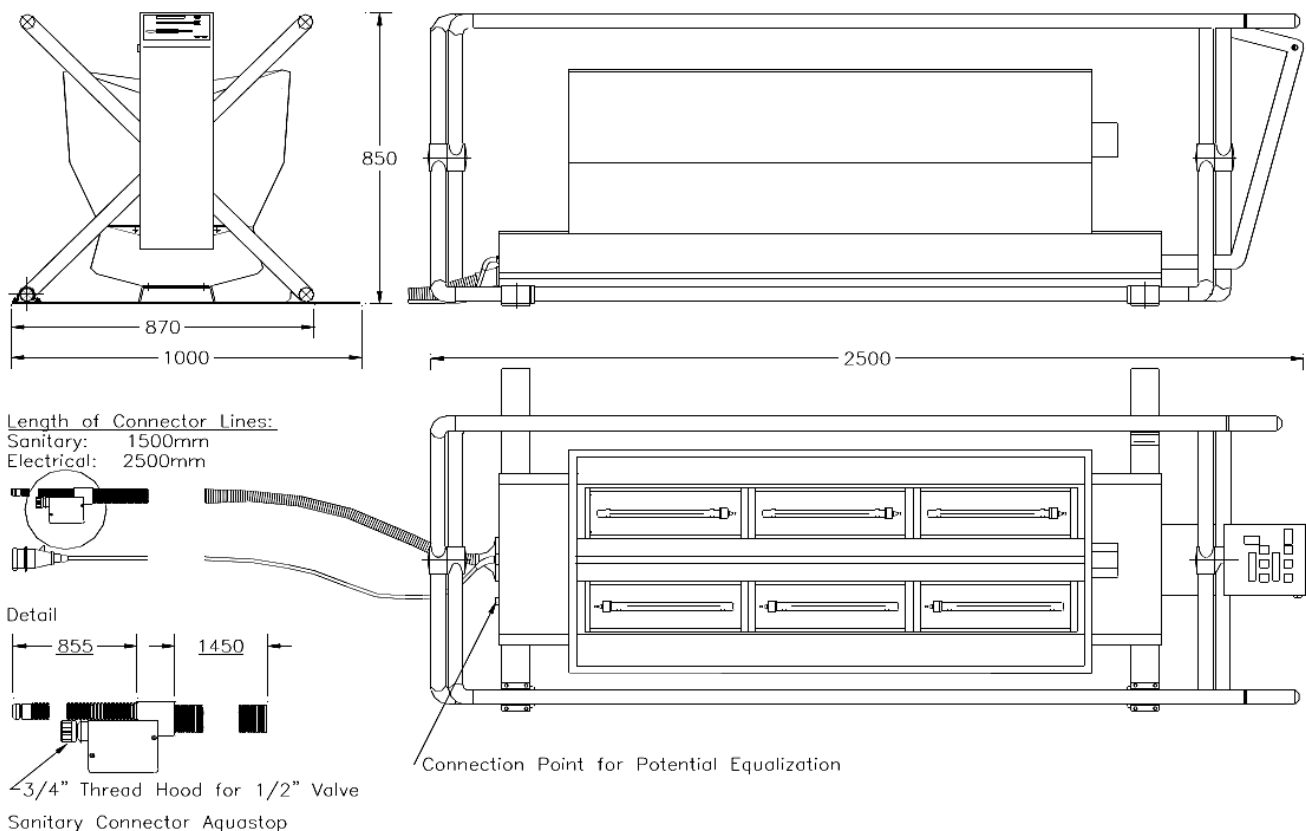


# Conditions of Installation

## Whole-Body Hyperthermia System IRATHERM®1000

- 1. Sanitary Connections** The system applies a Bosch/Siemens-compatible AQUA-STOP-SYSTEM like used in common dishwashers and washing machines.  
Length of hose at system 1.5 m (standard), optional longer.
- Cold water connection:  $\frac{1}{2}$ " valve (to increase the operational reliability a ball valve is recommended as a barrier) with  $\frac{3}{4}$ " connecting thread, water pressure minimum 1.0 bar.
- Water drain: Water drain with smell seal (wash basin trap with washing machine waste water connection sufficient).
- Soiling of the cooling water by particles of more than 50  $\mu$ m diameters demands a "fine filter of 50  $\mu$ m" installation by the customer!
- 2. Electrical Connections** Nominal voltage: 3 x 230/400 V three-phase current supply  
Current: 3 x 16 A (red 5-pin CEE socket outlet and plug 16 A-3P+N+E)  
Fuses: 3 x 16 A Type C (inert) (fuse automat **Type C !**), Fi-switch  
Nominal power: 8 kW  
Potential equalisation connection gn/ye 10 mm<sup>2</sup> with cable shoe B8 at body.  
Length of cable at system 2.5 m (standard), optional longer.

### 3. Dimensions



Producer:

 Von Ardenne Institut für  
Angewandte Medizinische  
Forschung GmbH

Zeppelinstr. 7  
01324 Dresden  
GERMANY  
☎ +49 351 2637 400  
☎ +49 351 2637 444  
www.vonardenne.de/med

Distributor for East- and Central Europe:



**HT Systems Sp. z o.o.**  
ul. Belgradzka 5  
03-793 Warszawa, POLAND  
☎ +48 22 644 50 55  
☎ +48 22 644 50 77  
www.htsystems.com.pl